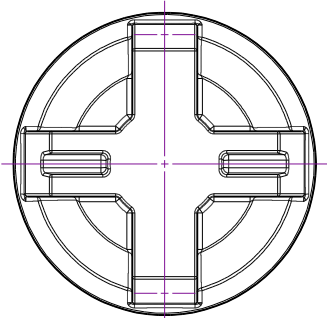
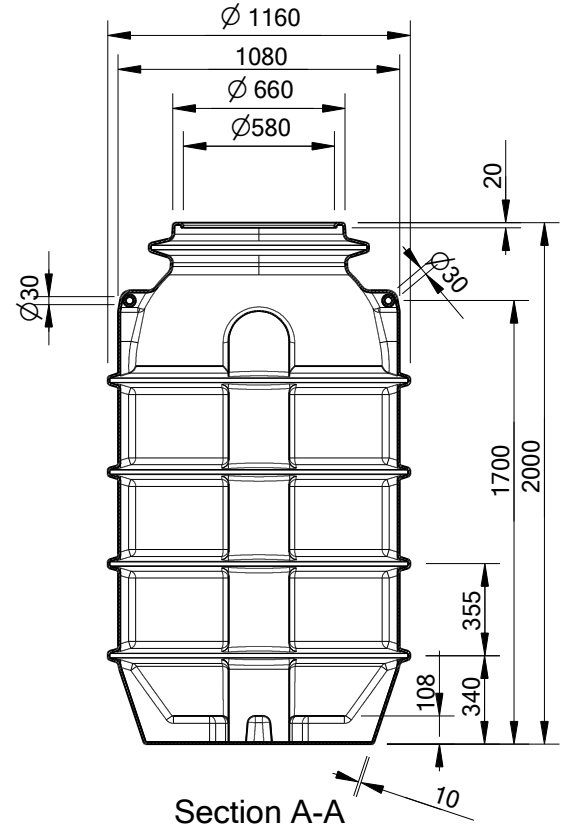
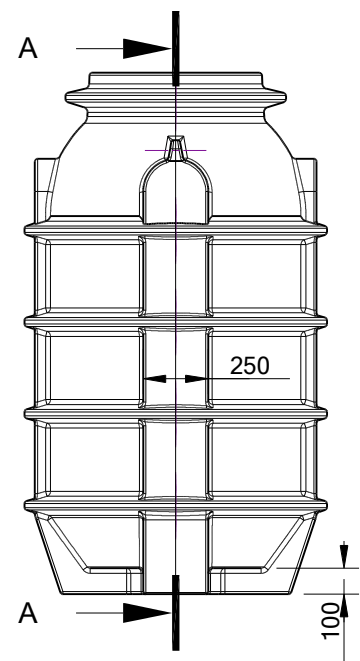
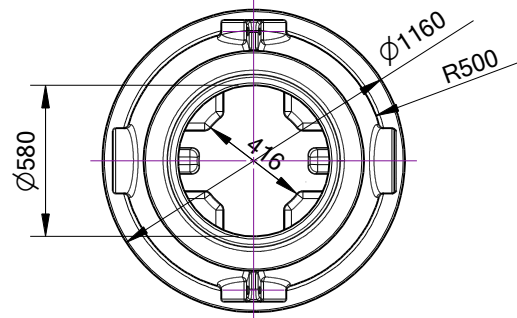


RevNo	Revision note	Date	Signature	Checked
-------	---------------	------	-----------	---------



Itemref	Quantity	Title/Name, designation, material, dimension etc		PE 73 kg	Article No./Reference		1,3 m3
Drawn by Ing. Jan Burian		Checked by	Approved by - date		File name	Date 08.11.2020	Scale 1:1
ABČ 1000 / 2000					ABPLAST s.r.o. Pohodlí		