

1

2

3

4

5

6

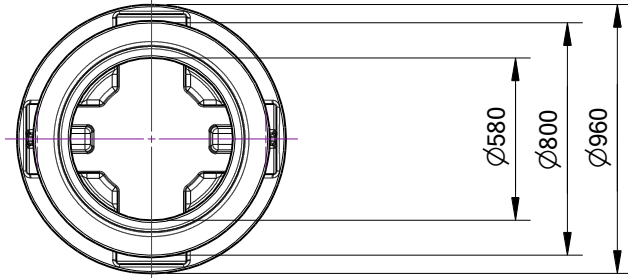
RevNo Revision note

Date

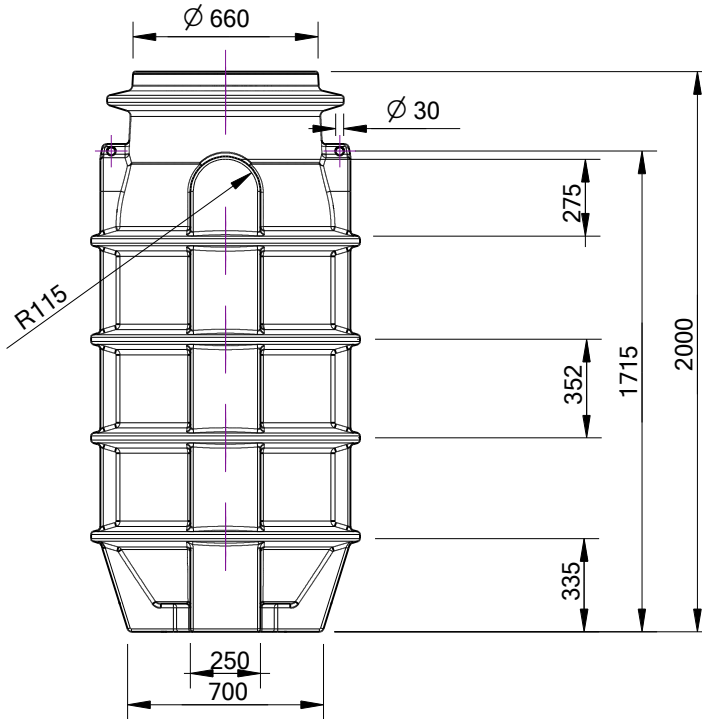
Signature

Checked

A

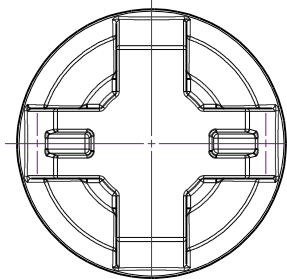


B



C

D



Itemref	Quantity	Title/Name, designation, material, dimension etc	PE 60 kg, 1,2m3	Article No./Reference
---------	----------	--	-----------------	-----------------------

Drawn by Ing. Jan Burian	Checked by	Approved by - date	File name	Date 07.11.2020	Scale 1:1
-----------------------------	------------	--------------------	-----------	--------------------	--------------

ABČ 800 / 2000 **ABPLAST s.r.o. Pohodlí**

Edition	Sheet 1 OF 1
---------	-----------------

1

2

3

4

5

6